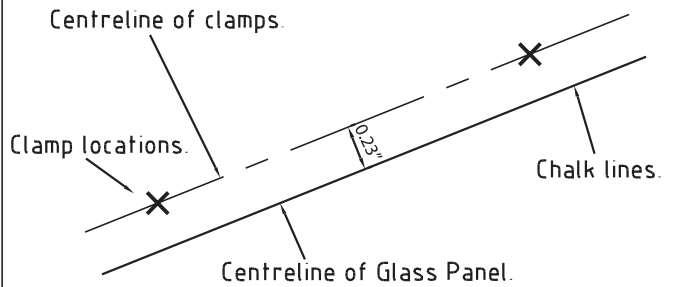
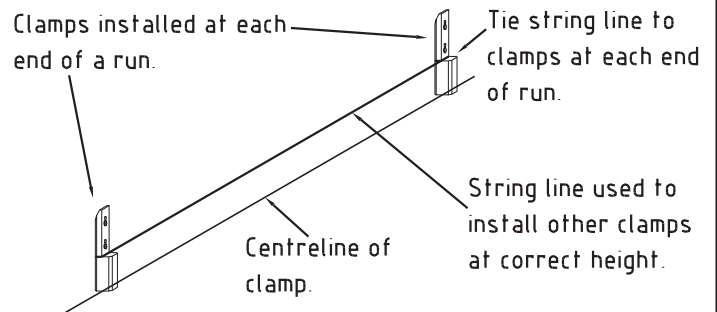


# FIXING METHOD: Core Drill

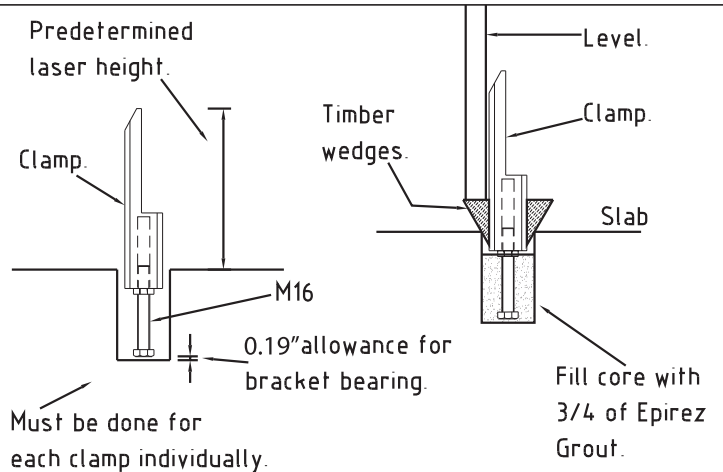
1. Mark out centre line of proposed glass fence with a chalk line. Determine clamp location based on sheet size (refer to formula for clamp position on glass). Note that centre line of clamp is 0.23" offset to centre line of glass. Once clamp positions are marked core drill a  $\phi 2.75$ " hole at 4.33" deep. Remove the core and clean any excess concrete which may obstruct clamp.



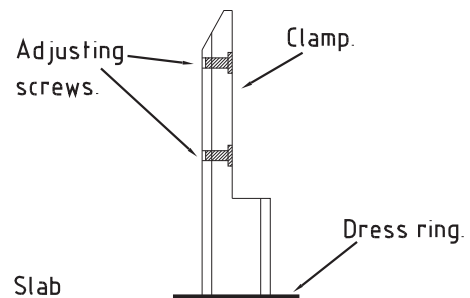
2. Check level of floor to determine the height of each clamp. Next adjust the M16 set-screw to 0.19" from bottom of hole for each clamp, ensuring a minimum penetration of 1.57" of the M16 set-screw into the clamp. Then firmly tighten lock nut against base of clamp. We suggest installing a clamp at each end of a straight run and then use a string line to set the clamps inbetween.



3. The following procedure is done one hole at a time. Mix the Epirez 5 Star Grout in a small container (refer to manufacturers specifications), enough to fill  $\frac{3}{4}$  of the hole. Position clamp in hole and hold in place using small timber wedges until firm (approx 15mins). While grout is wet clean any excess with a wet sponge. The grout will set very quickly and will be strong enough to support glass within one hour (refer to manufacturers specifications). When removing the timber wedges top up gaps left behind with grout. It is important to position clamps in the correct line and as plumb as possible to minimise glass adjustment.



4. When all clamps are installed slip dress ring over clamp and secure to surface using a silicone or polyurethane. It will be necessary to turn the adjusting screws on the clamp face all the way in to allow dress ring to pass over.



5. The glass is then installed to the clamps via the M10 set-screws. Side adjustment is achieved (up to 0.07" in each direction) by simply moving packers from one side of the glass to the other. Height adjustment of up to 0.15" up and 0.15" down is achieved by adding or removing packers from under the glass. To adjust the plumb of the glass make sure the floating plate is loosened slightly then simply tighten either top or bottom Grub Screw located on front face of clamp and then re-tighten the floating plate firmly.

