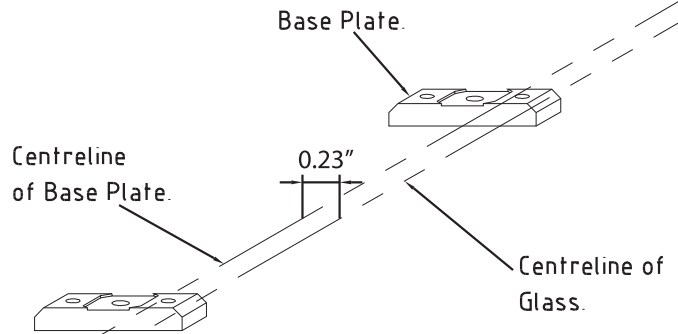


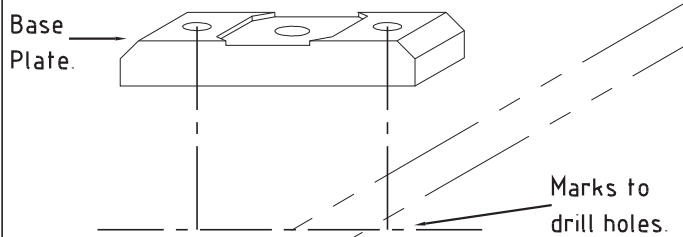
# FIXING METHOD: Base Plate

1. Mark out centre line of proposed glass fence with a chalk line. Determine clamp location based on sheet size (refer to formula for clamp position on glass). Use base plate as a template to mark hole positions for M12 stainless steel althreads or M12 coachscrews.

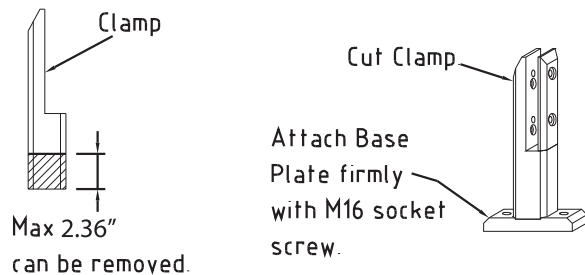
**NOTE:** Centreline of glass is 0.23" offset to centreline of clamp.



2. Drill  $\varnothing 0.55"$  holes at the required depth (refer to Base Plate specification sheet). Set 12  $\varnothing$  althreads in holes with epoxy or chem set making certain enough thread is left to accommodate a nut and washer or alternatively drill holes to suit M12 coachscrews.

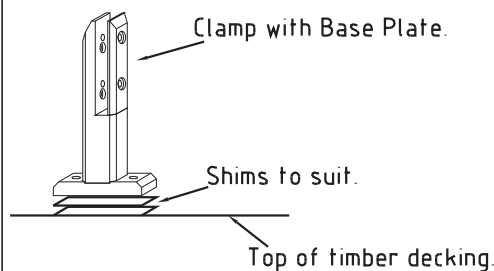


3. Check level at each base plate location. Each clamp must be cut from the bottom (max 2.36") to achieve a level line. The base plates can now be attached to the clamp via the M16 set-screw. Be sure the set screw is tightened firmly.



**NOTE:** Base Plate is to be perpendicular to glass panel.

4. Now the clamps with base plates attached can be fitted to the floor and plumbed via shims under the base plates. Be sure to tighten the nuts onto the base plates firmly as the smallest of movement at the base plate will result in noticeable movement at the top of the glass fence.



**NOTE:** Ensure Base Plate is attached firmly to Clamp and to surface.

5. The glass is then installed to the clamps via the M10 set-screws. Side adjustment is achieved (up to 0.078" in each direction) by simply moving packers from one side of the glass to the other. Height adjustment of up to 0.15" up and 0.15" down is achieved by adding or removing packers from under the glass. To adjust the plumb of the glass make sure the floating plate is loosened slightly then simply tighten either top or bottom Grub Screw located on front face of clamp and then re-tighten the floating plate firmly.

